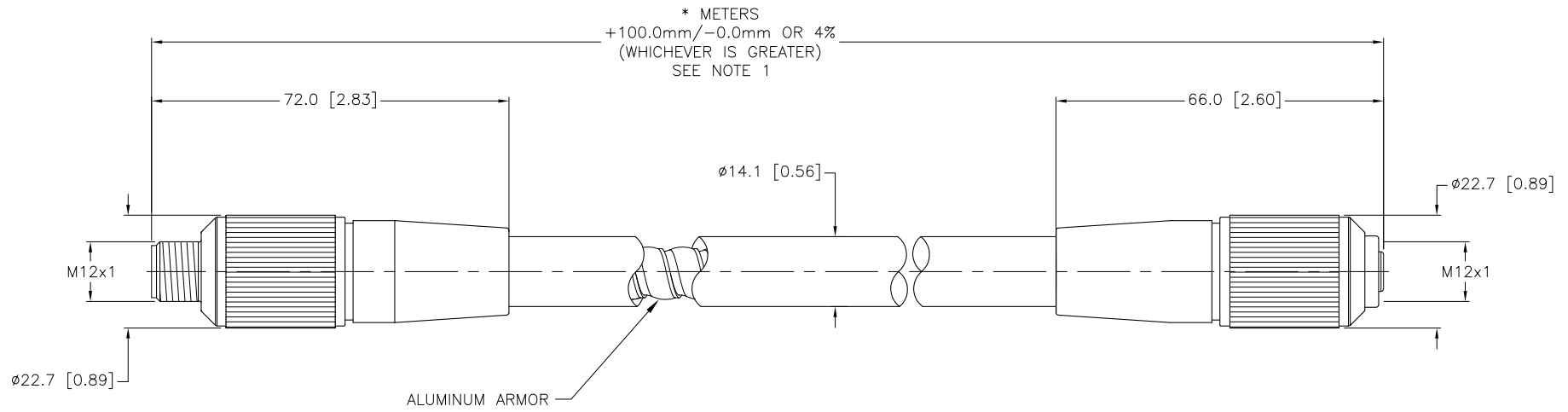


SPECIFICATIONS	
CONTACT CARRIER MATERIAL	NYLON or TPU
MOLDED HEAD MATERIAL/COLOR	TPU/BLACK
CONTACT MATERIAL/PLATING	BRASS/GOLD
COUPLING NUT MATERIAL/PLATING	BRASS/NICKEL
RATED CURRENT [A]	2.0 A
RATED VOLTAGE [V]	60 V
OUTER JACKET MATERIAL/COLOR	PVC/BLACK
CONDUCTOR INSULATION MATERIAL	POLYOLEFIN
NUMBER OF CONDUCTORS [AWG]	8x24 AWG, SOLID (CAT 5e)
SHIELD	INTER-LOCKING ALUMINUM ARMOR
TEMPERATURE RANGE	-20°C to +75°C (-4°F to +167°F)
PROTECTION CLASS	NEMA 1,3,4,6P AND IEC IP68



NOTES:

- "*" INDICATES CABLE LENGTH IN METERS. CONTACT TURCK TO ORDER SPECIFIC LENGTHS.
- CABLE ARMOR IS CONNECTED TO THE COUPLING NUT(S).

SOURCE DRAWING - FOR REFERENCE ONLY

RELATED DOCUMENTS		3RD ANGLE PROJECTION		THIS DRAWING IS CONFIDENTIAL AND THE PROPERTY OF TURCK INC. USE OF THIS DOCUMENT WITHOUT WRITTEN PERMISSION IS PROHIBITED.		 3000 CAMPUS DRIVE MINNEAPOLIS, MN 55441 1-800-544-7769 (763) 553-7300 (763) 553-0708 fax turck.com	
1. 2. 3. 4.				DRFT RWC		DATE 08/01/05	
MATERIAL		ALL DIMENSIONS DISPLAYED ON THIS DRAWING ARE FOR REFERENCE ONLY		DSGN		SCALE 1=1.3	
SEE SPECIFICATIONS		CONTACT TURCK FOR MORE INFORMATION		UNIT OF MEASUREMENT		DESCRIPTION	
FINISH		MILLIMETER [INCH]		DO NOT SCALE THIS DRAWING		RSA RKA 849A-*M	
SEE SPECIFICATIONS						IDENTIFICATION NO.	
						REV	
						G	
G ADD ARMOR NOTE		RDS 09/22/11 36423		FILE: 777011695		SHEET 1 OF 1	
REV DESCRIPTION		BY DATE ECO NO.					